

PLASMA CUTTING

The new series of Torches
Hybrid
Universal torches for any plasma machine
from 20A to 160A

UPH-105 75°

UPM-105 180°

UPH-125 75°

UPM-125 180°

UPH-160 85°

UPM-160 180°

EASY FIT
Patent

Higher performances

Cleaner cut

Faster speed

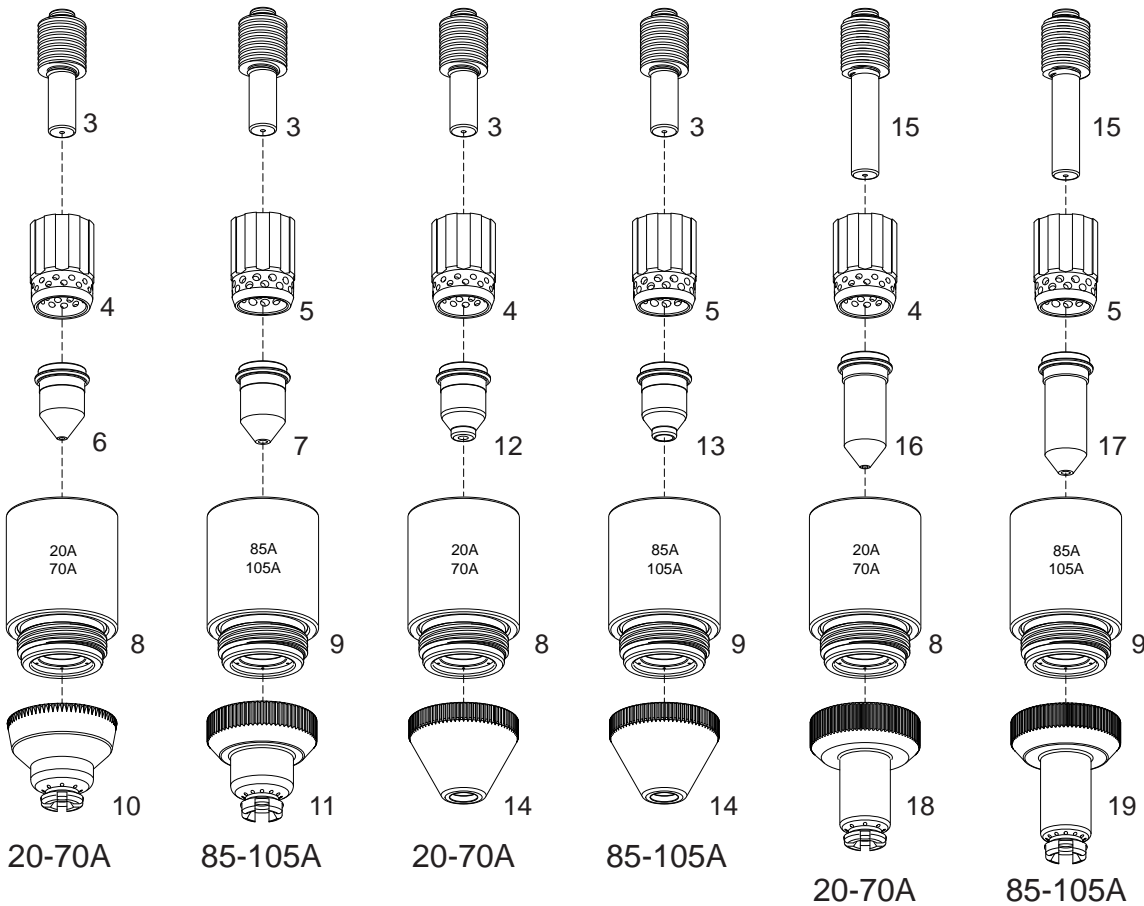
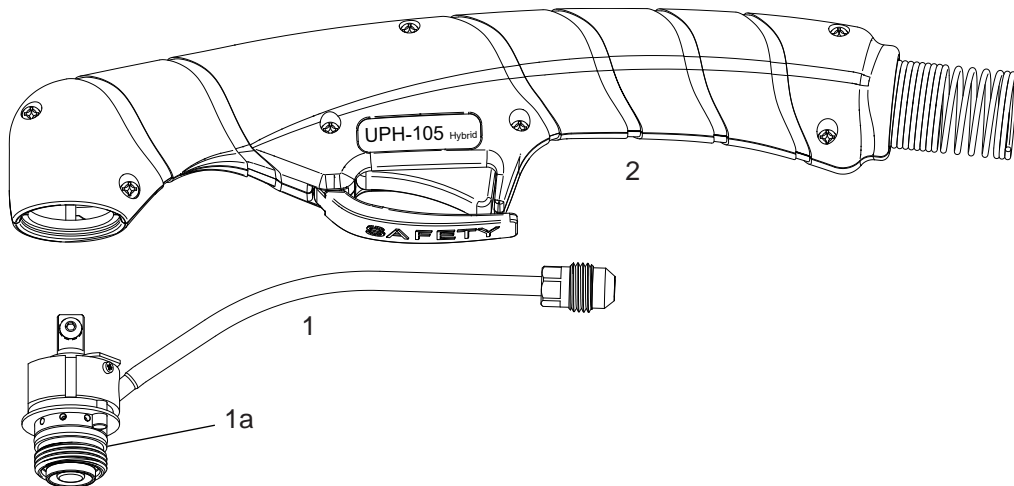
PLASMA CUTTING TORCHES

Hybrid

Technical Data

Current : 20-105 Amps
 Duty Cycle: 105 Amps at 60%
 Gas: Air/N2
 Gas Pressure
 - Cutting: 72-80 PSI (5.0-5.5 bar)
 - Gouging: 50-65 PSI (3.5-4.5 bar)
 Gas Flow at 105A: 510 SCFH (240 lpm)
 Post Flow Time : 45 sec
 Pilot : Electrode to Tip (12-20A)
 Ignition: Without HF

For the correct operation please use:
 3-Ways Solenoid Valve, inside orifice
 3.5-4.0mm - (0.138-0.157 inches)



Contact

Gouging

Extended

Air or N₂

UPH-105
 ■ Standard Layout

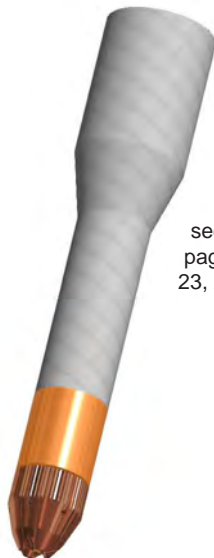
UNICUT®

see
page
15

FLATCUT®

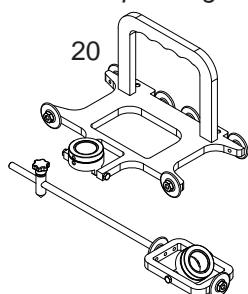
see
pages
15, 18-19

AIRONCUT®

see
page
23, 26

Bevel Tool

Patent pending



Replacement Parts

Torch parts

Item	Description	Code
1	■ UPH-105 75° Hand Torch Head	05800
1a	■ O-Ring	07300.60
2	■ Handle complete with parts	05305
3	■ Electrode, 20-105A	52574
4	Swirl ring, 20-70A Maximum Life	60041
	Swirl ring, 20-70A ECO	60041E
5	■ Swirl ring, 85-105A Maximum Life	60024
	Swirl ring, 85-105A ECO	60024E
6	Tip, Contact Cutting, 45A	51206
	Tip, Contact Cutting, 70A	51206.11
7	Tip, Contact Cutting, 85A	51223.13
	■ Tip, Contact Cutting, 105A	51223.15
8	Shield Cup Body, 20-70A Maximum Life	60305
	Shield Cup Body, 20-70A ECO	60305E
9	■ Shield Cup Body, 85-105A Maximum Life	60329
	Shield Cup Body, 85-105A ECO	60329E
10	Shield Cap, 20-70A Hand	51923
11	■ Shield Cap, 85-105A Hand	51941
12	Tip, Gouging, 45A	51206G
	Tip, Gouging, 70A	51206G.10
13	Tip, Gouging, 105A	51223G.14
14	Shield Cap, Gouging	51924G
15	Extended Electrode, 20-105A	52574L
16	Extended Tip, 45A	51206L
	Extended Tip, 70A	51206L.11
17	Extended Tip, 85A	51223L.13
	Extended Tip, 105A	51223L.15
18	Extended Shield 20-70A	51923L
19	Extended Shield 85-105A	51941L

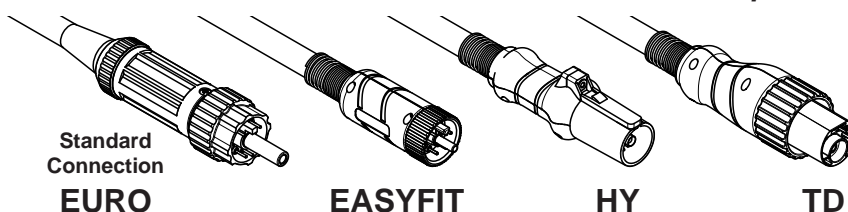
Accessories

N/S	Circle Cutting Attachment	51865
20	BEVEL TOOL	51880

Complete Torches Maximum Life

UPH-105 75°, Hand Torch, 6m (20 ft) Leads, Coaxial Cable, Euro Connector	05821CX
UPH-105 75°, Hand Torch, 12m (40 ft) Leads, Coaxial Cable, Euro Connector	05826CX

Torches with different connectors available on request.



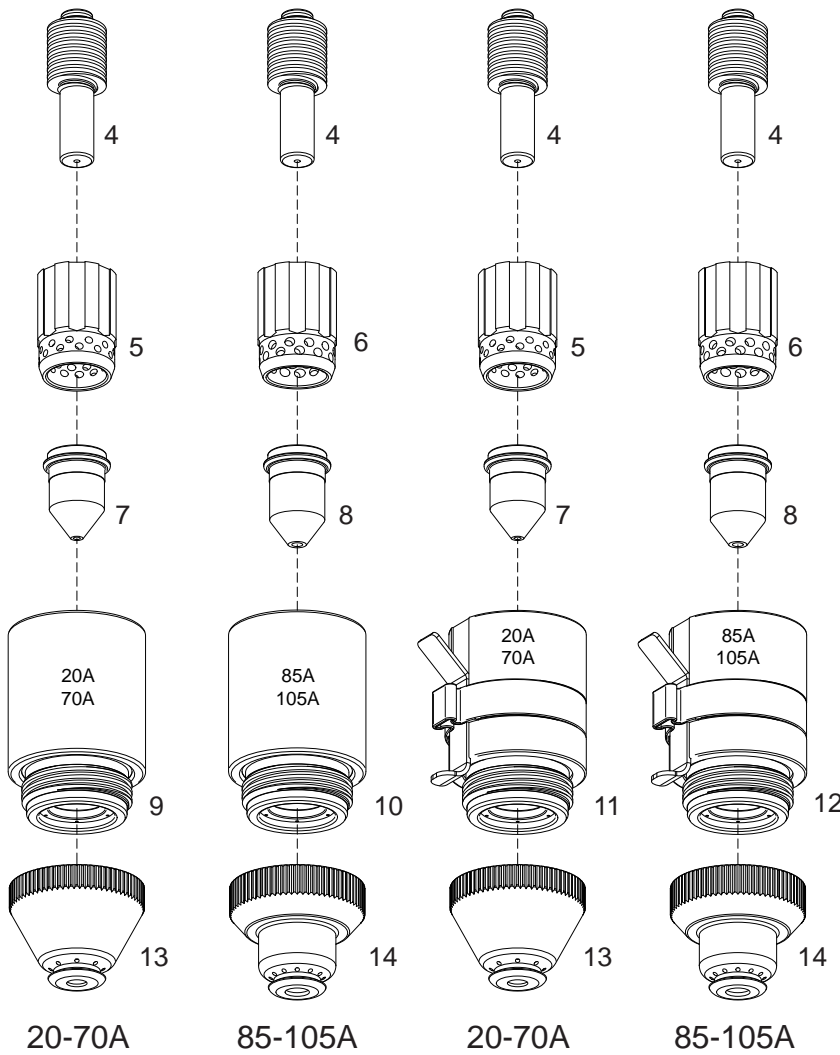
PLASMA CUTTING TORCHES

Hybrid

Technical Data

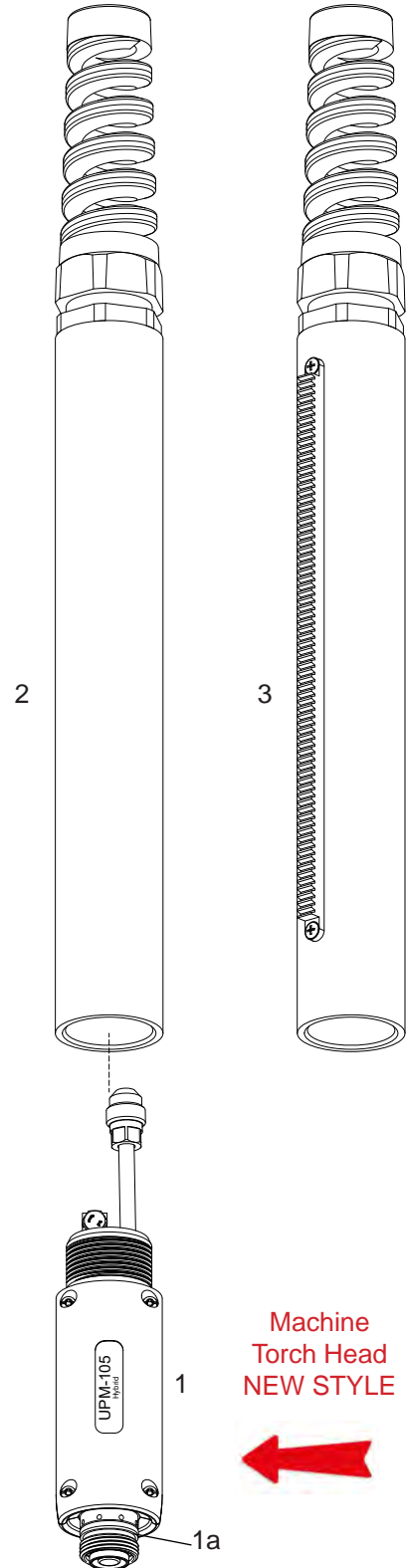
Current : 20-105 Amps
 Duty Cycle: 105 Amps at 60%
 Gas: Air/N2
 Gas Pressure
 - Cutting: 72-80 PSI (5.0-5.5 bar)
 - Gouging: 50-65 PSI (3.5-4.5 bar)
 Gas Flow at 105A: 510 SCFH (240 lpm)
 Post Flow Time : 45 sec
 Pilot : Electrode to Tip (12-20A)
 Ignition: Without HF

For the correct operation please use:
 3-Ways Solenoid Valve, inside orifice
 3.5-4.0mm - (0.138-0.157 inches)



Shielded

Shielded with ohmic



Machine
Torch Head
NEW STYLE



Air or N₂

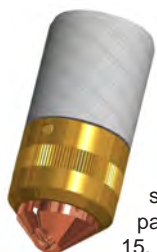
UPM-105

■ Standard Layout

UNICUT®

see
page
15

FLATCUT®

see
pages
15, 18-19

Replacement Parts

Torch parts

Item	Description	Code
1	■ UPM-105 180° Machine Torch Head	05810
1a	■ O-Ring	07300.60
2	■ Fiberglass Positioning Tube	07218
3	■ Fiberglass Positioning Tube With Rack	07219
4	■ Electrode, 20-105A	52574
5	Swirl ring, 20-105A Maximum Life	60041
	Swirl ring, 20-105A ECO	60041E
6	■ Swirl ring, 85-105A Maximum Life	60024
	Swirl ring, 85-105A ECO	60024E
7	Tip, Cutting, 45A	51206
	Tip, Cutting, 70A	51206.11
8	Tip, Cutting, 85A	51223.13
	■ Tip, Cutting, 105A	51223.15
9	Shield Cup Body, 20-70A Maximum Life	60305
	Shield Cup Body, 20-70A ECO	60305E
10	■ Shield Cup Body, 85-105A Maximum Life	60329
	Shield Cup Body, 85-105A ECO	60329E
11	Shield Cup Body, 20-70A Ohmic Maximum Life	60305H
	Shield Cup Body, 20-70A Ohmic ECO	60305HE
12	Shield Cup Body, 85-105A Ohmic Maximum Life	60329H
	Shield Cup Body, 85-105A Ohmic ECO	60329HE
13	Shield Cap, Machine, 20-70A	51924
14	■ Shield Cap, Machine, 85-105A	51942

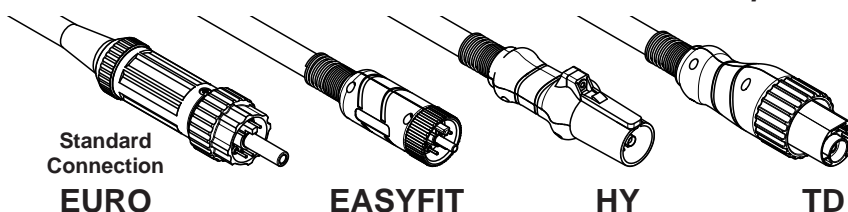
Complete Torches Maximum Life

UPM-105 75°, Machine Torch, 6m (20 ft) Leads,
Coaxial Cable, Euro Connector 05831CX

UPM-105 75°, Machine Torch, 12m (40 ft) Leads,
Coaxial Cable, Euro Connector 05836CX

Air Filter
AT-1000see
page
28

Torches with different connectors available on request.



PLASMA CUTTING TORCHES

Hybrid

Technical Data

Current : 40-150 Amps
Duty Cycle: 125 Amps at 60%
 150 Amps at 40%

Gas: Air/N2

Gas Pressure

- Cutting 125A: 72-87 PSI (5.0-6.0 bar)
- Cutting 150A: 80-87 PSI (5.5-6.0 bar)
- Gouging: 50-65 PSI (3.5-4.5 bar)

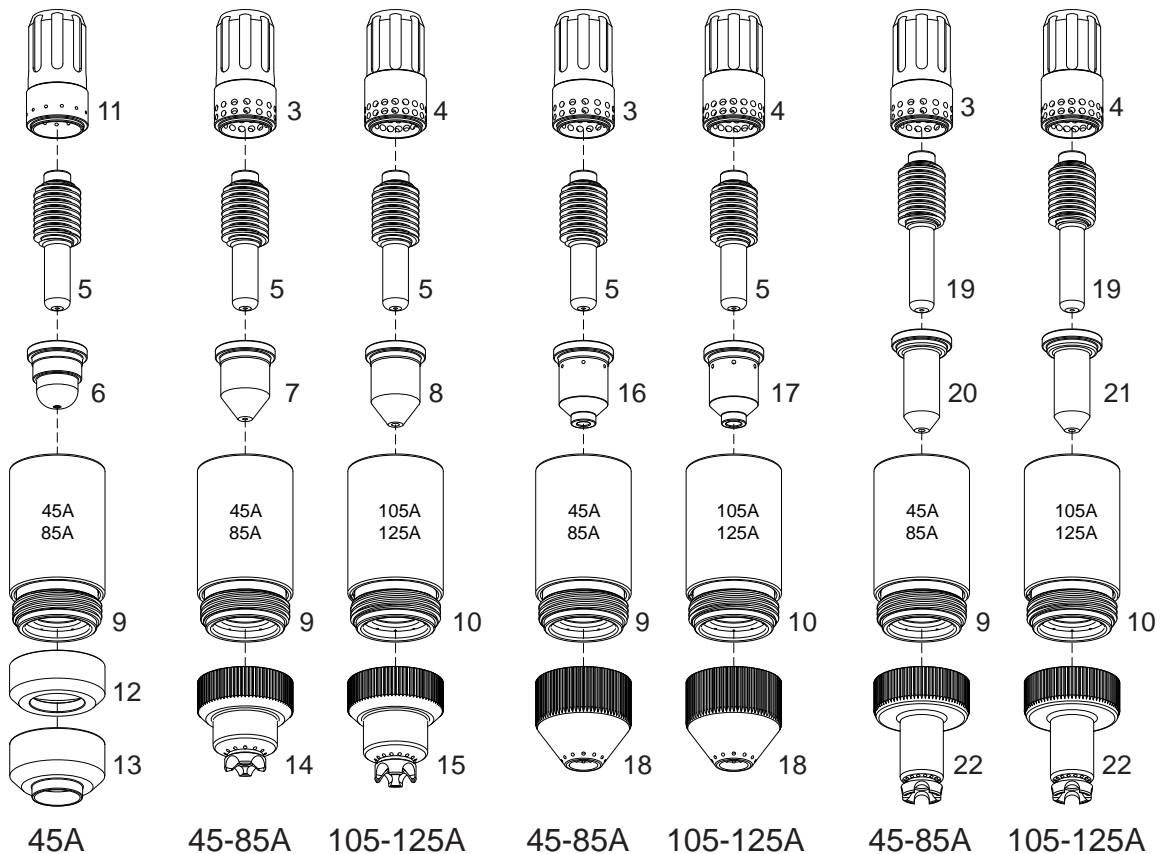
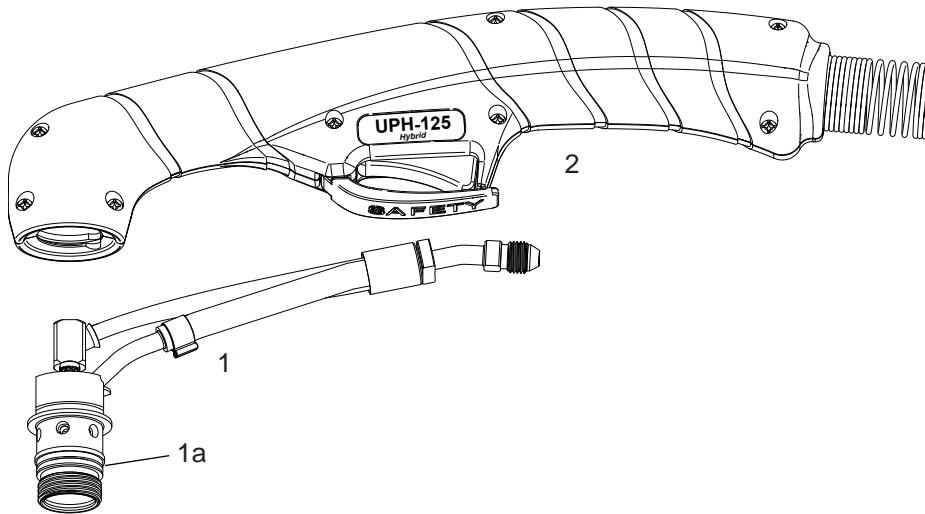
Gas Flow at 125A: 630 SCFH (295 lpm)

Post Flow Time : 45 sec

Pilot : Electrode to Tip (15-22A)

Ignition: Without HF

For the correct operation please use:
 3-Ways Solenoid Valve, inside orifice
 4.5-5.5mm - (0.178-0.217 inches)



Precision

Cut

Contact

Gouging

Extended

Air or N₂

UPH-125
 ■ Standard Layout

UNICUT®

see
page
17

FLATCUT®

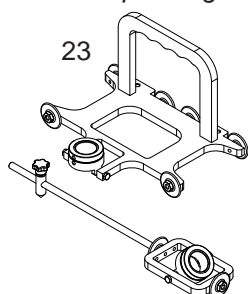
see
pages
17, 20-21

AIRONCUT®

see
page
24

Bevel Tool

Patent pending



Replacement Parts

Torch parts

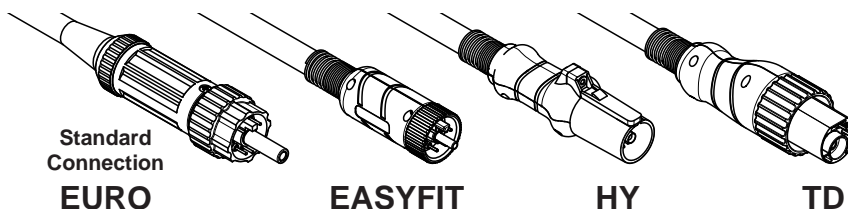
Item	Description	Code
1	■ UPH-125 75° Hand Torch Head	05900
1a	■ O-Ring	03700.60
2	■ Handle complete with parts	05905
3	Swirl ring, 45-85A Maximum Life	60042
	Swirl ring, 45-85A ECO	60042E
4	■ Swirl ring, 100-125A Maximum Life	60040
	Swirl ring, 100-125A ECO	60040E
5	■ Electrode, 45-125A	52677
	Electrode, 45-125A, BiMetal (on request)	52677BM
6	Tip, Cutting, 45A, Precision Cut	51415
7	Tip, Contact Cutting, 45A	51416
	Tip, Contact Cutting, 65A	51417
	Tip, Contact Cutting, 85A	51418
8	Tip, Contact Cutting, 105A	51419
	■ Tip, Contact Cutting, 125A	51419.16
	Tip, Contact Cutting, 150A	51419.18
9	Shield Cup Body, 45-85A Maximum Life	60309AV
	Shield Cup Body, 45-85A ECO	60309A
10	■ Shield Cup Body, 100-125A Maximum Life	60309BV
	Shield Cup Body, 100-125A ECO	60309B
11	Swirl ring, 45A, Precision Cut, Maximum Life	60032
12	Deflector,	51928
13	Deflector, 45A, Precision Cut	51931
14	Shield Cap, 45-85A Hand	51921
15	■ Shield Cap, 100-125A Hand	51926
16	Tip, Gouging, 65-85A	51417G
17	Tip, Gouging, 105A	51418G
	Tip, Gouging, 125A	51419G
18	Shield Cap, Gouging	51927G
19	Extended Electrode, 45-125A	52677L
20	Extended Tip, 65A	51417L.12
	Extended Tip, 85A	51417L.13
21	Extended Tip, 105A	51417L.15
	Extended Tip, 125A	51417L.17
22	Extended Shield 65-125A	51923L
Accessories		
N/S	Circle Cutting Attachment	51865
23	BEVEL TOOL	51880

Complete Torches Maximum Life

UPH-125 75°, Hand Torch, 6m (20 ft) Leads,
Coaxial Cable, Euro Connector 05921CX

UPH-125 75°, Hand Torch, 12m (40 ft) Leads,
Coaxial Cable, Euro Connector 05926CX

Torches with different connectors available on request.



Standard
Connection
EURO

EASYFIT**HY****TD**

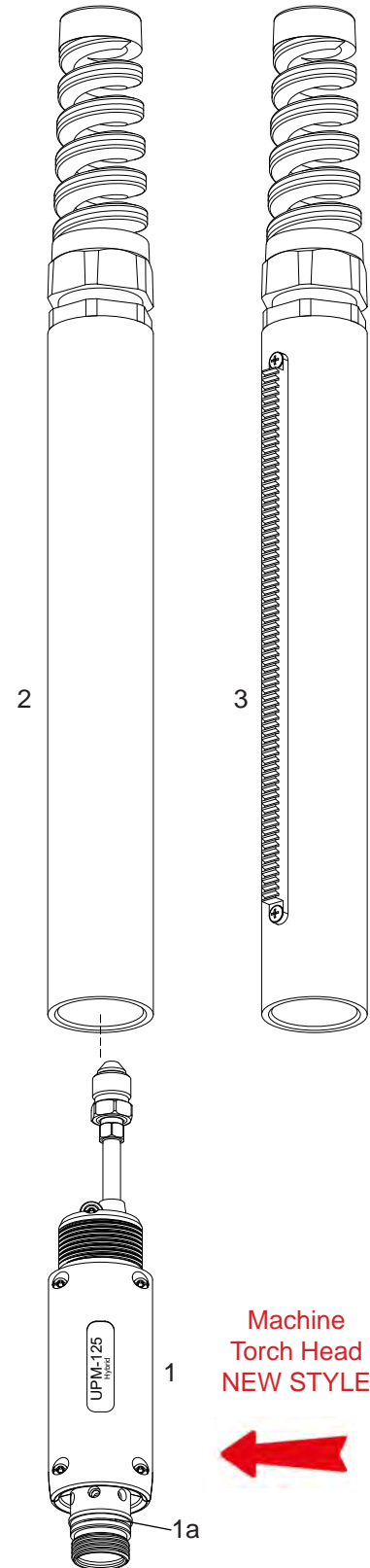
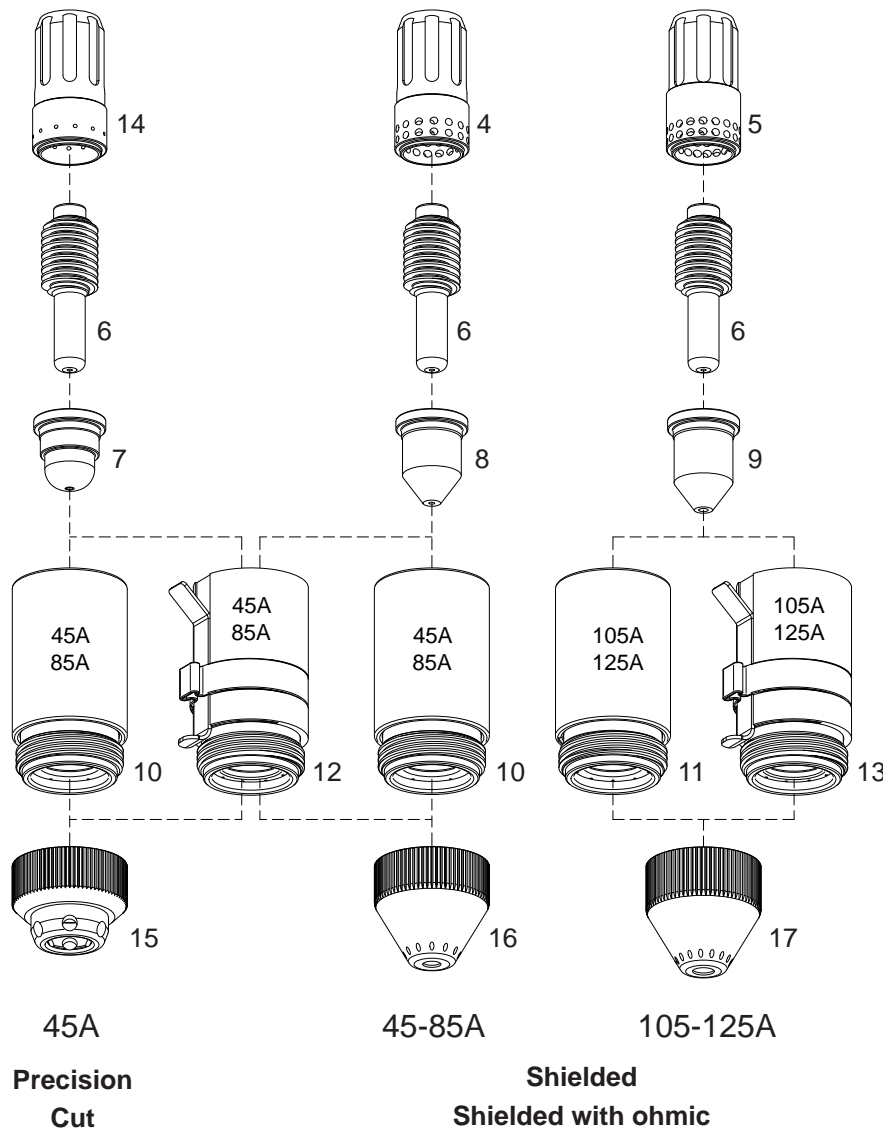
PLASMA CUTTING TORCHES

Hybrid

Technical Data

Current : 40-125 Amps
 Duty Cycle: 125 Amps at 60%
 Gas: Air/N2
 Gas Pressure
 - Cutting: 72-87 PSI (5.0-6.0 bar)
 - Gouging: 50-65 PSI (3.5-4.5 bar)
 Gas Flow at 125A: 630 SCFH (295 lpm)
 Post Flow Time : 45 sec
 Pilot : Electrode to Tip (15-22A)
 Ignition: Without HF

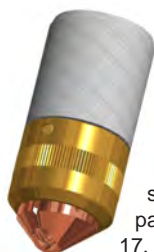
For the correct operation please use:
 3-Ways Solenoid Valve, inside orifice
 4.5-5.5mm - (0.178-0.217 inches)



Air or N₂

UPM-125

■ Standard Layout

UNICUT[®]see
page
17FLATCUT[®]see
pages
17, 20-21

Replacement Parts

Torch parts

Item	Description	Code
1	■ UPM-125 180° Machine Torch Head	05910
1a	■ O-Ring	07300.60
2	■ Fiberglass Positioning Tube	07218
3	Fiberglass Positioning Tube With Rack	07219
4	Swirl ring, 45-85A Maximum Life	60042
	Swirl ring, 45-85A ECO	60042E
5	■ Swirl ring, 100-125A Maximum Life	60040
	Swirl ring, 100-125A ECO	60040E
6	■ Electrode, 45-125A	52677
	Electrode, 45-125A, BiMetal (on request)	52677BM
7	Tip, Cutting, 45A, Precision Cut	51415
8	Tip, Contact Cutting, 45A	51416
	Tip, Contact Cutting, 65A	51417
	Tip, Contact Cutting, 85A	51418
9	Tip, Contact Cutting, 105A	51419
	■ Tip, Contact Cutting, 125A	51419.16
10	Shield Cup Body, 45-85A Maximum Life	60309AV
	Shield Cup Body, 45-85A ECO	60309A
11	■ Shield Cup Body, 100-125A Maximum Life	60309BV
	Shield Cup Body, 100-125A ECO	60309B
12	Shield Cup Body, 45-85A Ohmic Maximum Life	60309HA
13	Shield Cup Body, 100-125A Ohmic Maximum Life	60309HB
14	Swirl ring, 45A, Precision Cut, Maximum Life	60032
15	Shield Cap, 45A, Precision Cut	51929
16	Shield Cap, Machine, 45-85A	51922
17	■ Shield Cap, Machine, 100-125A	51927

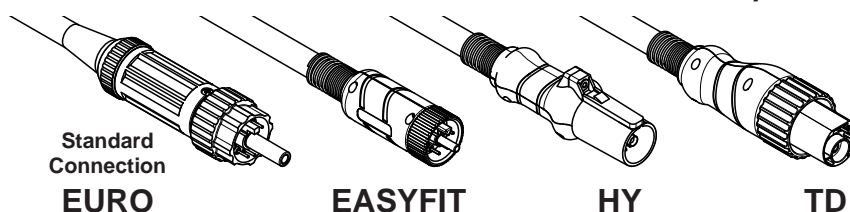
Complete Torches Maximum Life

UPM-125 75°, Machine Torch, 6m (20 ft) Leads,
Coaxial Cable, Euro Connector 05931CX

UPM-125 75°, Machine Torch, 12m (40 ft) Leads,
Coaxial Cable, Euro Connector 05936CX

Air Filter
AT-1000see
page
28

Torches with different connectors available on request.



Standard
Connection
EURO

EASYFIT**HY****TD**

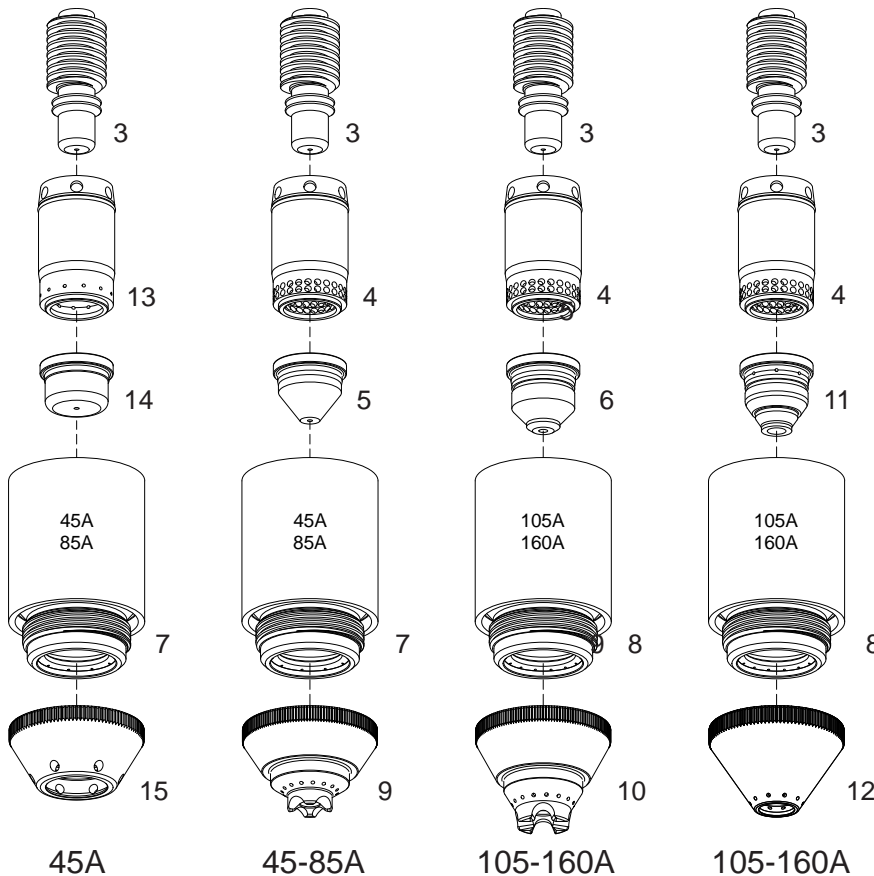
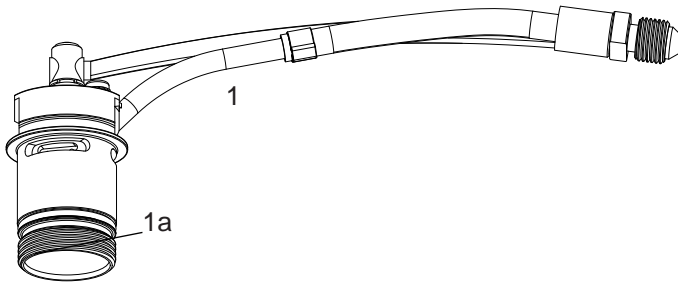
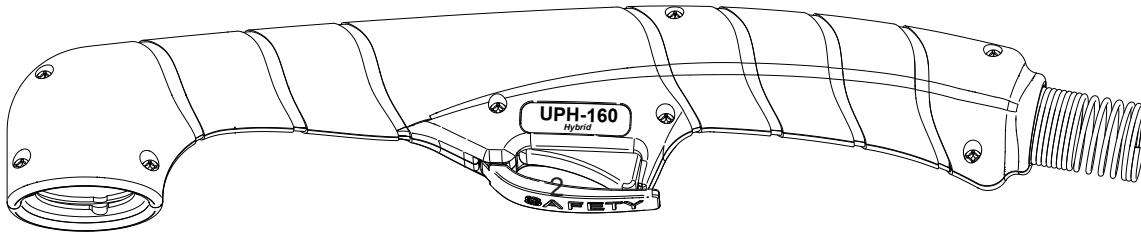
PLASMA CUTTING TORCHES

Hybrid

Technical Data

Current : 30-160 Amps
 Duty Cycle: 160 Amps at 60%
 Gas: Air/N2
 Gas Pressure
 - Cutting: 72-87 PSI (5.0-6.0 bar)
 - Gouging: 40-46 PSI (3.0-3.5 bar)
 Gas Flow at 160A: 850 SCFH (420 lpm)
 Post Flow Time : 45 sec
 Pilot : Electrode to Tip (22-25A)
 Ignition: Without HF

For the correct operation please use:
 3-Ways Solenoid Valve, inside orifice
 4.5-5.5mm - (0.178-0.217 inches)



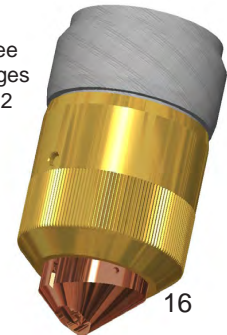
**Precision
Cut**

Contact

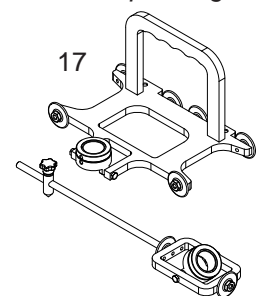
Gouging

FLATCUT®

see
pages
22



Bevel Tool
Patent pending

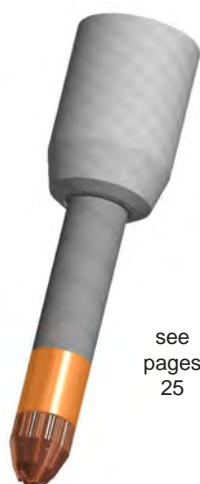
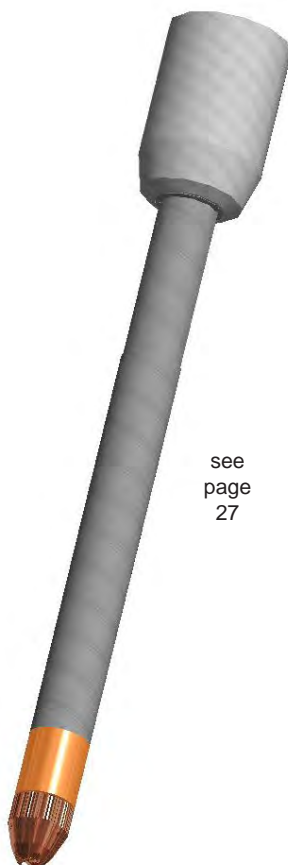


Air or N₂

UPH-160

■ Standard Layout

AIRONCUT®

see
pages
25AIRONCUT
XXXL®see
page
27

Replacement Parts

Torch parts

Item	Description	Code
1	■ UPH-160 85° Hand Torch Head	03900
1a	■ O-Ring	03900.60
2	■ Handle complete with parts.	05505
3	■ Electrode, Patent Pending Electrode, BiMetal, Patent Pending , (on request)	52678 52678BM
4	■ Swirl ring Maximum Life Swirl ring ECO	60039 60039E
5	Tip, Cutting, 45A	51420
	Tip, Cutting, 65A	51421
	Tip, Cutting, 85A	51422
6	Tip, Cutting, 105-125A	51425
	■ Tip, Cutting, 160A	51426
7	Shield Cup Body, 45-85A	60311TA
8	■ Shield Cup Body, 105-160A	60311TB
9	Shield Cap, Hand, 45-85A	51916T
10	■ Shield Cap, Hand, 105-160A	51917T
11	Tip, Gouging, 105-125A	51424G
	Tip, Gouging, 160A	51425G
12	Shield Cap, Gouging	51919G
13	Swirl ring, Precision Cut (Hand Cutting)	60033
14	Tip, 30-45A, Precision Cut	51428
15	Deflector, Precision Cut	51915
16	Standard KIT FLATCUT 85-125A NEW	53637
	Standard KIT FLATCUT 130-160A NEW	53638

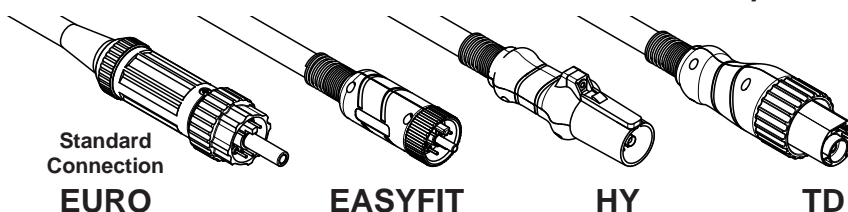
Accessories

n/s	Circle Cutting Attachment	51868
17	BEVEL TOOL	51886

Complete Torches Maximum Life

UPH-160 85° Hand Torch, 6m (20 ft) Leads, Coaxial Cable , Euro Connector.	03921CX
UPH-160 85° Hand Torch, 12m (40 ft) Leads, Coaxial Cable , Euro Connector.	03926CX

Torches with different connectors available on request.



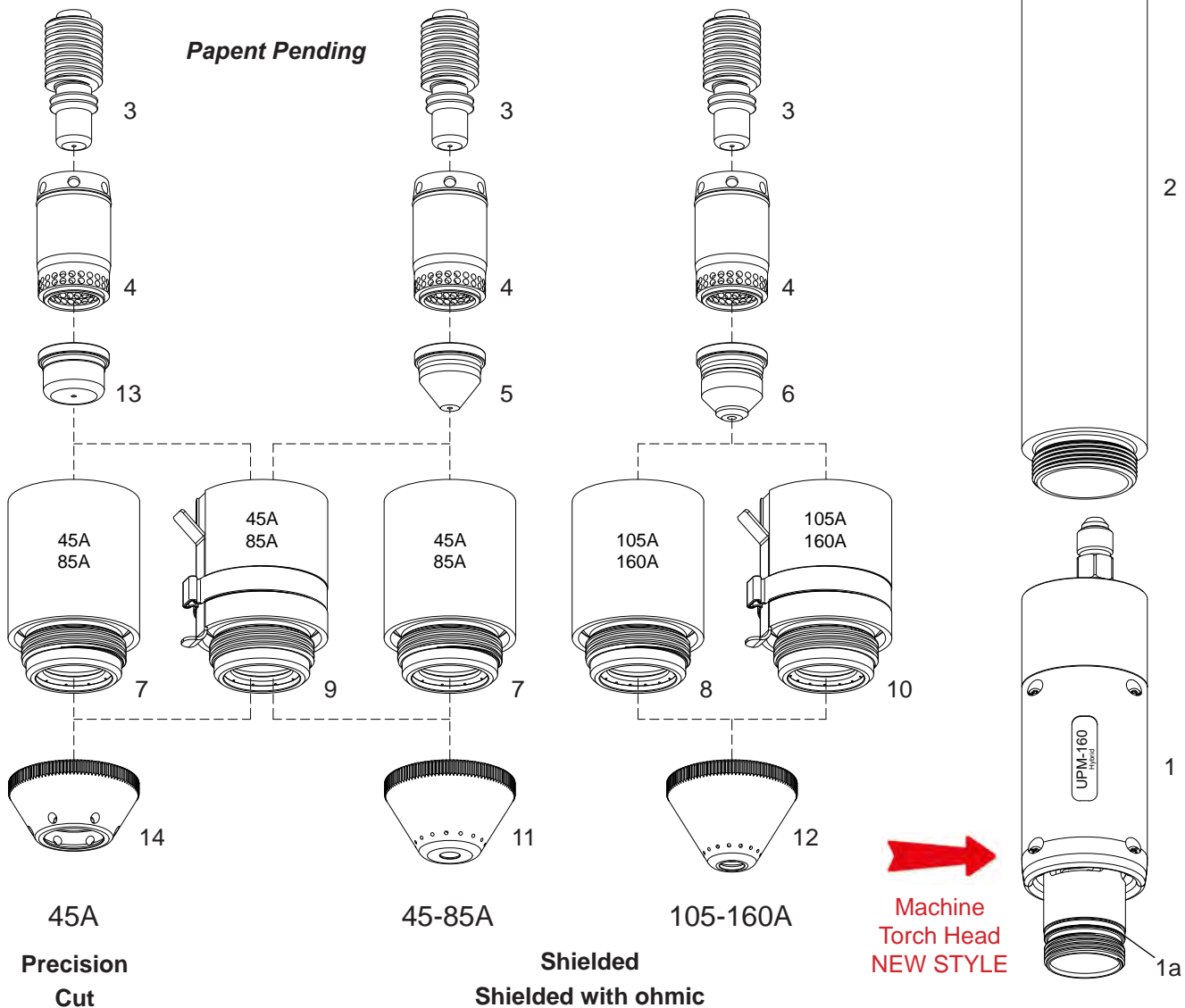
PLASMA CUTTING TORCHES

Hybrid

Technical Data

Current : 30-160 Amps
 Duty Cycle: 160 Amps at 60%
 Gas: Air/N2
 Gas Pressure
 - Cutting: 72-87 PSI (5.0-6.0 bar)
 - Gouging: 40-46 PSI (3.0-3.5 bar)
 Gas Flow at 125A: 850 SCFH (420 lpm)
 Post Flow Time : 45 sec
 Pilot : Electrode to Tip (22-25A)
 Ignition: Without HF

For the correct operation please use:
 3-Ways Solenoid Valve, inside orifice
 4.5-5.5mm - (0.178-0.217 inches)

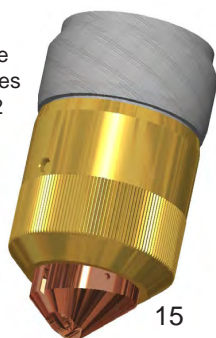


Air or N₂

UPM-160

■ Standard Layout

FLATCUT®

see
pages
22

Replacement Parts

Torch parts

Item	Description	Code
1	■ UPM-160 180° Machine Torch Head	03910
1a	O-Ring	03900.60
2	■ Fiberglass Positioning Tube	03916
3	■ Electrode Patent Pending	52678
	Electrode, BiMetal , Patent Pending (on request)	52678BM
4	■ Swirl ring Maximum Life	60039
	Swirl ring ECO	60039E
5	Tip, Cutting, 45A	51420
	Tip, Cutting, 65A	51421
	Tip, Cutting, 85A	51422
6	Tip, Cutting, 105-125A	51425
	■ Tip, Cutting, 160A	51426
7	Shield Cup Body, 45-85A	60311TA
8	■ Shield Cup Body, 105-160A	60311TB
9	Shield Cup Body, 45-85A Ohmic	60311THA
10	Shield Cup Body, 105-160A Ohmic	60311THB
11	Shield Cap, Machine, 45-85A	51918T
12	■ Shield Cap, Machine, 105-160A	51919T
13	Tip, 30-45A, Precision Cut	51428
14	Deflector, Precision Cut	51915
15	Standard KIT FLATCUT 85-125A NEW	53637
	Standard KIT FLATCUT 130-160A NEW	53638

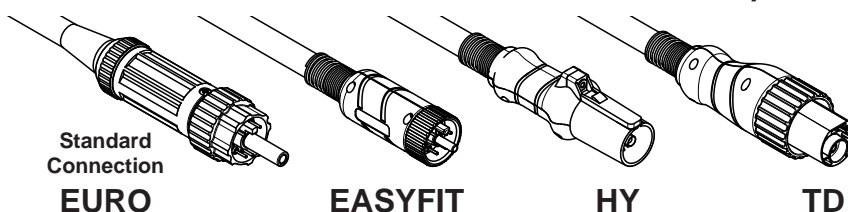
Complete Torches Maximum Life

UPM-160 180° Machine Torch, 6m (20 ft) Leads,
Coaxial Cable, Euro Connector. 03931CX

UPM-160 180° Machine Torch, 12m (40 ft) Leads,
Coaxial Cable, Euro Connector. 03936CX

Air Filter
AT-1000see
page
28

Torches with different connectors available on request.



First Kit of Standard Consumables



image for example purposes only

Code	Description
BLKUPH105-045	First kit for Hand torch 45A
BLKUPH105-070	First kit for Hand torch 70A
BLKUPH105-085	First kit for Hand torch 85A
BLKUPH105-105	First kit for Hand torch 105A
BLKUPM105-045	First kit for Machine torch 45A
BLKUPM105-070	First kit for Machine torch 70A
BLKUPM105-085	First kit for Machine torch 85A
BLKUPM105-105	First kit for Machine torch 105A



Custom made to order

Code	Description
BXAUPH105-045	BOX for Hand torch 45A
BXAUPH105-070	BOX for Hand torch 70A
BXAUPH105-085	BOX for Hand torch 85A
BXAUPH105-105	BOX for Hand torch 105A
BXAUPM105-045	BOX for Machine torch 45A
BXAUPM105-070	BOX for Machine torch 70A
BXAUPM105-085	BOX for Machine torch 85A
BXAUPM105-105	BOX for Machine torch 105A

Custom made to order

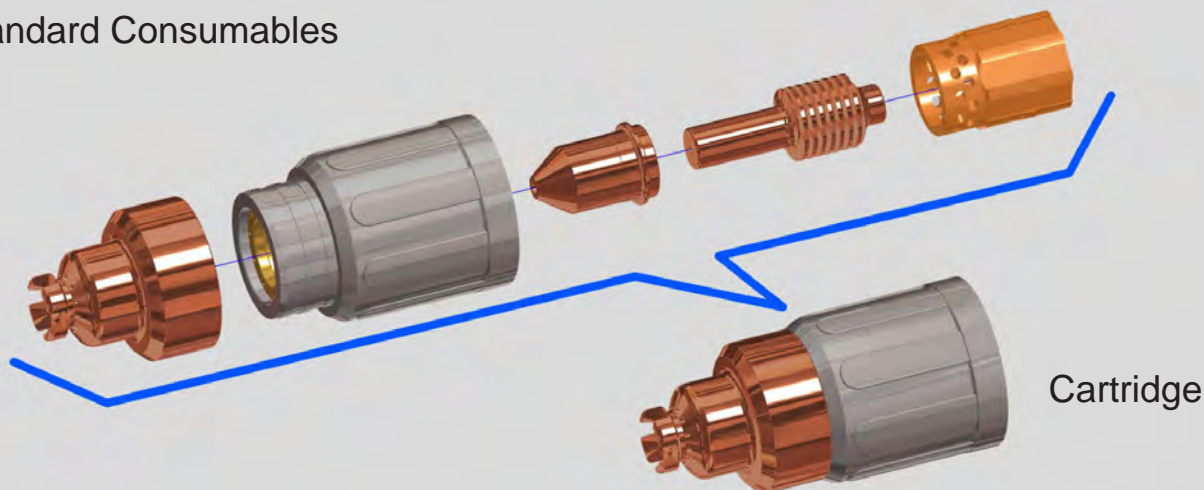


image for example purposes only

Code	Description
BXBUPH105-045	BOX mini for Hand torch 45A
BXBUPH105-070	BOX mini for Hand torch 70A
BXBUPH105-085	BOX mini for Hand torch 85A
BXBUPH105-105	BOX mini for Hand torch 105A
BXBUPM105-045	BOX mini for Machine torch 45A
BXBUPM105-070	BOX mini for Machine torch 70A
BXBUPM105-085	BOX mini for Machine torch 85A
BXBUPM105-105	BOX mini for Machine torch 105A

UNICUT®**Single-use cartridges PLUG and CUT**

	Code	Description
Hand 	53601M	Cartridge UPH-70/105 45A hand cutting
	53602M	Cartridge UPH-70/105 70A hand cutting
	53603M	Cartridge UPH-105 85A hand cutting
	53604M	Cartridge UPH-105 105A hand cutting
Automation 	53606M	Cartridge UPM-70/105 45A machine cutting
	53607M	Cartridge UPM-70/105 70A machine cutting
	53608M	Cartridge UPM-105 85A machine cutting
	53609M	Cartridge UPM-105 105A machine cutting
	53671.44	Clip OHMIC (pcs.3)
Gouging 	53611M	Cartridge UPH-70/105 45A Gouging
	53612M	Cartridge UPH-70/105 70A Gouging
	53613M	Cartridge UPH-105 105A Gouging
Extended 	53615M	Cartridge UPH-70/105 45A Extended hand cutting
	53616M	Cartridge UPH-70/105 70A Extended hand cutting
	53617M	Cartridge UPH-105 85A Extended hand cutting
	53618M	Cartridge UPH-105 105A Extended hand cutting
FLATCUT ® 	53630	Cartridge UPH-70/105 40/70A FLATCUT
	53631	Cartridge UPH-70/105 80/105A FLATCUT

Standard Consumables

First Kit of Standard Consumables



image for example purposes only

Code	Description
BLKUPH125-045	First kit for Hand torch 45A
BLKUPH125-065	First kit for Hand torch 65A
BLKUPH125-085	First kit for Hand torch 85A
BLKUPH125-105	First kit for Hand torch 105A
BLKUPH125-125	First kit for Hand torch 125A
BLKUPM125-045	First kit for Machine torch 45A
BLKUPM125-065	First kit for Machine torch 70A
BLKUPM125-085	First kit for Machine torch 85A
BLKUPM125-105	First kit for Machine torch 105A
BLKUPM125-125	First kit for Machine torch 125A



Custom made to order

Code	Description
BXAUPH125-045	BOX for Hand torch 45A
BXAUPH125-065	BOX for Hand torch 65A
BXAUPH125-085	BOX for Hand torch 85A
BXAUPH125-105	BOX for Hand torch 105A
BXAUPH125-125	BOX for Hand torch 125A
BXAUPM125-045	BOX for Machine torch 45A
BXAUPM125-065	BOX for Machine torch 65A
BXAUPM125-085	BOX for Machine torch 85A
BXAUPM125-105	BOX for Machine torch 105A
BXAUPM125-125	BOX for Machine torch 125A


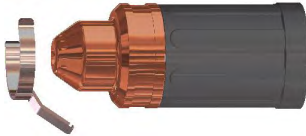

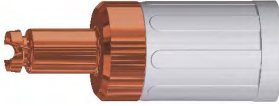
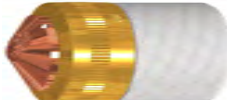
Custom made to order

Code	Description
BXBUPH125-045	BOX mini for Hand torch 45A
BXBUPH125-065	BOX mini for Hand torch 65A
BXBUPH125-085	BOX mini for Hand torch 85A
BXBUPH125-105	BOX mini for Hand torch 105A
BXBUPH125-125	BOX mini for Hand torch 125A
BXBUPM125-045	BOX mini for Machine torch 45A
BXBUPM125-065	BOX mini for Machine torch 65A
BXBUPM125-085	BOX mini for Machine torch 85A
BXBUPM125-105	BOX mini for Machine torch 105A
BXBUPM125-125	BOX mini for Machine torch 125A

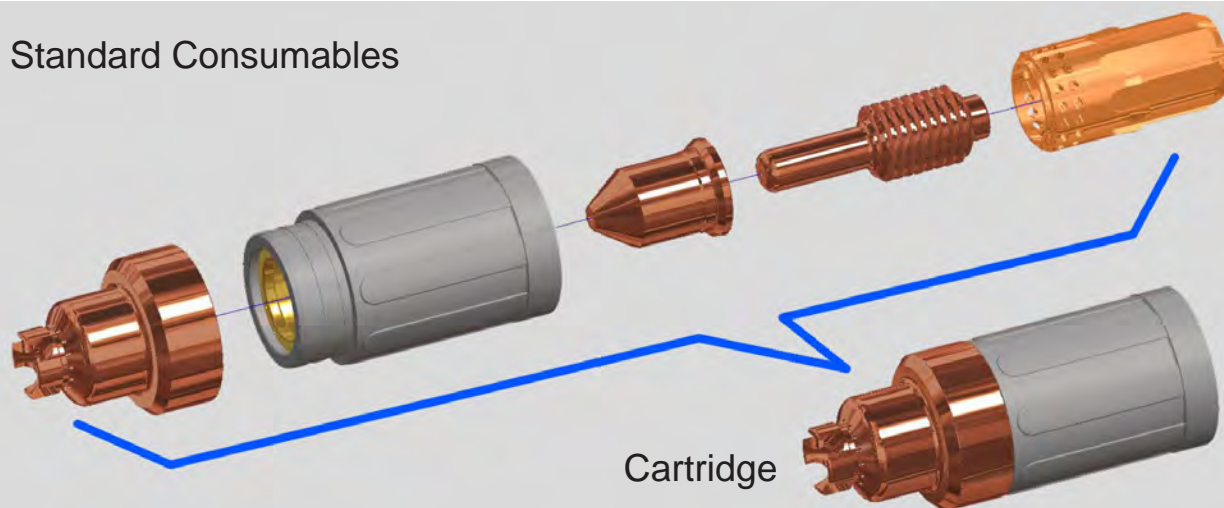


image for example purposes only

UNICUT®**Single-use cartridges PLUG and CUT**

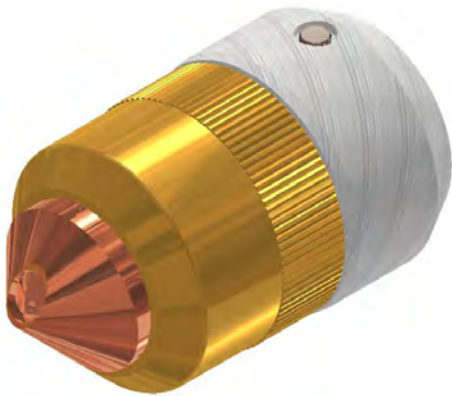
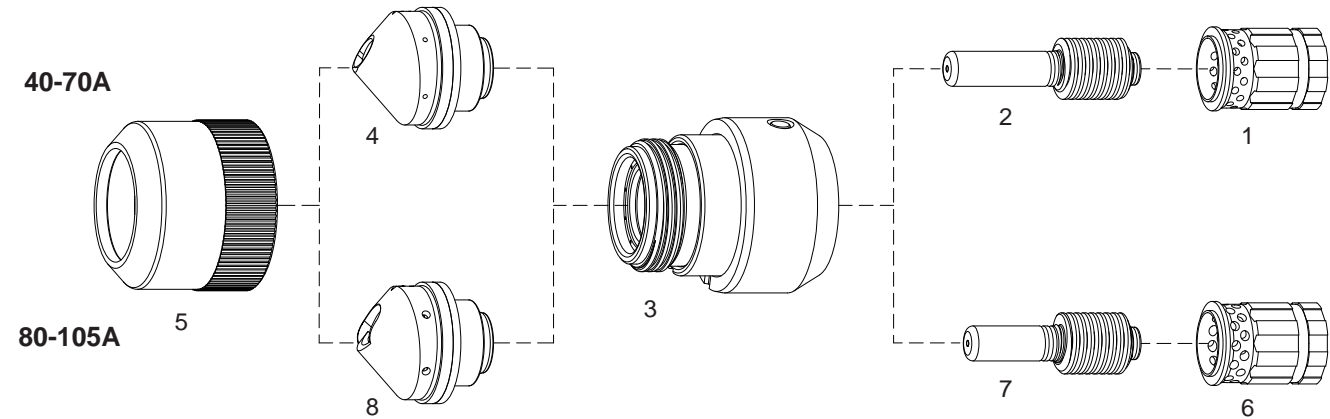
	Code	Description
Hand 	53641M	Cartridge UPH-125 45A hand cutting
	53642M	Cartridge UPH-125 65A hand cutting
	53643M	Cartridge UPH-125 85A hand cutting
	53644M	Cartridge UPH-125 105A hand cutting
	53645M	Cartridge UPH-125 125A hand cutting
Automation 	53647M	Cartridge UPM-125 45A machine cutting
	53648M	Cartridge UPM-125 65A machine cutting
	53649M	Cartridge UPM-125 85A machine cutting
	53650M	Cartridge UPM-125 105A machine cutting
	53651M	Cartridge UPM-125 125A machine cutting
	53672.44	Clip OHMIC (pcs.3)
Gouging 	53654M	Cartridge UPH-125 65/85A Gouging
	53655M	Cartridge UPH-125 105A Gouging
	53656M	Cartridge UPH-125 125A Gouging
Extended 	53659M	Cartridge UPH-125 65A Extended hand cutting
	53660M	Cartridge UPH-125 85A Extended hand cutting
	53661M	Cartridge UPH-125 105A Extended hand cutting
	53662M	Cartridge UPH-125 125A Extended hand cutting
FLATCUT ® 	53632	Cartridge UPH-125 40/70A FLATCUT
	53633	Cartridge UPH-125 80/125A FLATCUT

Standard Consumables

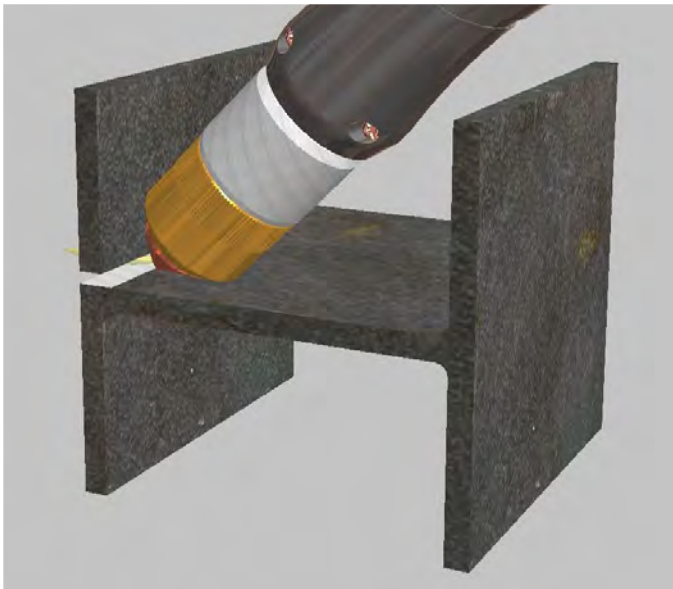


FLATCUT®

with 45 degree inclined arc for cutting Flat



#	Code	Description	Pkg
	53501	Standard KIT 40-70A	1
1	60075	Swirl Ring 40-70A	2
2	53519	Electrode 40-70A	5
3	53510	Retaining Cap	1
4	53530	Tip 40/70A	5
5	53541	Retaining Ring	2
	53502	Standard KIT 80-105A	1
6	60076	Swirl Ring 80-105A	2
7	53520	Electrode 80-105A	5
3	53510	Retaining Cap	1
8	53531	Tip 80-105A	5
5	53541	Retaining Ring	2



FLATCUT®

Some cutting examples that can be performed with the FLATCUT

BXAUPH105-FC



BXAUPH105-FC Special Box

Code	Description	Qty
60075	Swirl Ring 40-70A	1
53519	Electrode 40-70A	5
53530	Tip 40-70A	5
60076	Swirl Ring 80-105A	1
53520	Electrode 80-105A	5
53531	Tip 80-105A	5
53502	Standard KIT 80-105A	1

BXDUPH70-FC



BXDUPH70-FC Mini Kit 40-70A

Code	Description	Qty
60075	Swirl Ring 40-70A	1
53519	Electrode 40-70A	3
53510	Retaining Cap	1
53530	Tip 40-70A	3
53541	Retaining Ring	1

BXDUPH105-FC

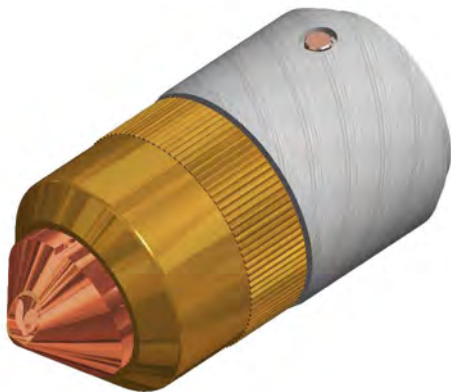
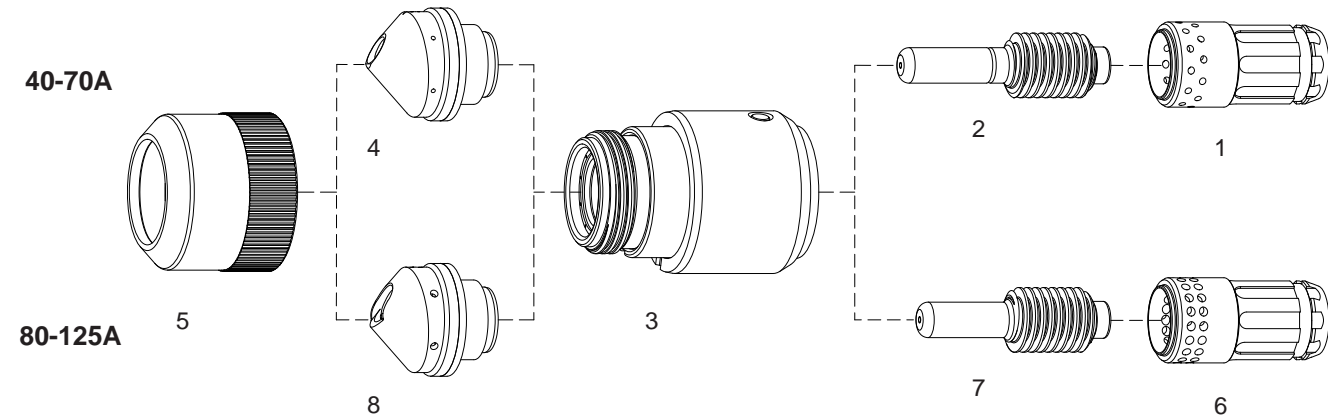


BXDUPH105-FC Mini Kit 80-105A

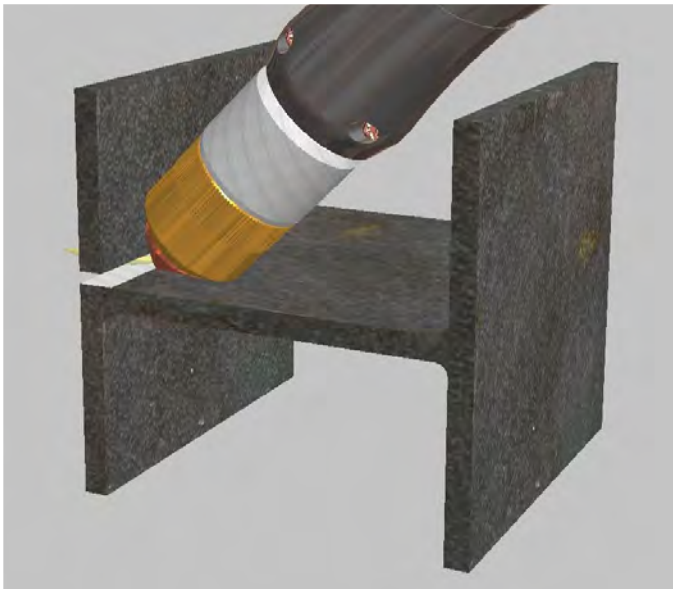
Code	Description	Qty
60076	Swirl Ring 80-105A	1
53520	Electrode 80-105A	3
53510	Retaining Cap	1
53531	Tip 80-105A	3
53541	Retaining Ring	1

FLATCUT®

with 45 degree inclined arc for cutting Flat



#	Code	Description	Pkg
	53504	Standard KIT 40-70A	1
1	60062	Swirl Ring 40-70A	2
2	53521	Electrode 40-70A	5
3	53511	Retaining Cap	1
4	53532	Tip 40-70A	5
5	53541	Retaining Ring	2
	53505	Standard KIT 80-125A	1
6	60063	Swirl Ring 80-125A	2
7	52677	Electrode 80-125A	5
3	53511	Retaining Cap	1
8	53533	Tip 80-125A	5
5	53541	Retaining Ring	2

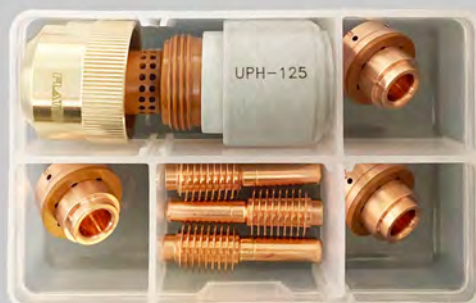


FLATCUT®

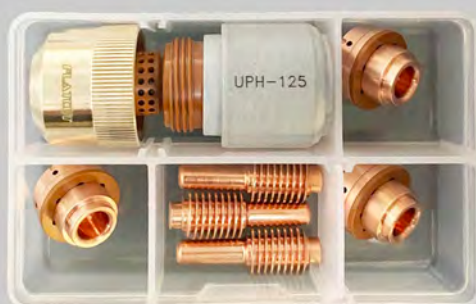
Some cutting examples that can be performed
with the FLATCUT

BXAUPH125-FC**BXAUPH125-FC Special Box**

Code	Description	Qty
60062	Swirl Ring 40-70A	1
53521	Electrode 40-70A	5
53532	Tip 40-70A	5
60063	Swirl Ring 80-125A	1
52677	Electrode 80-125A	5
53533	Tip 80-125A	5
53505	Standard KIT 80-125A	1

BXDUPH125-70FC**BXDUPH125-70FC Mini Kit 40-70A**

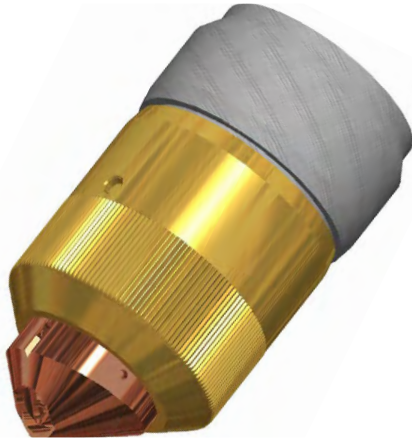
Code	Description	Qty
60062	Swirl Ring 40-70A	1
53521	Electrode 40-70A	3
53511	Retaining Cap	1
53532	Tip 40-70A	3
53541	Retaining Ring	1

BXDUPH125-125FC**BXDUPH125-125FC Mini Kit 80-125A**

Code	Description	Qty
60063	Swirl Ring 80-125A	1
52677	Electrode 80-125A	3
53511	Retaining Cap	1
53533	Tip 80-125A	3
53541	Retaining Ring	1

FLATCUT®

with 45 degree inclined arc for cutting Flat



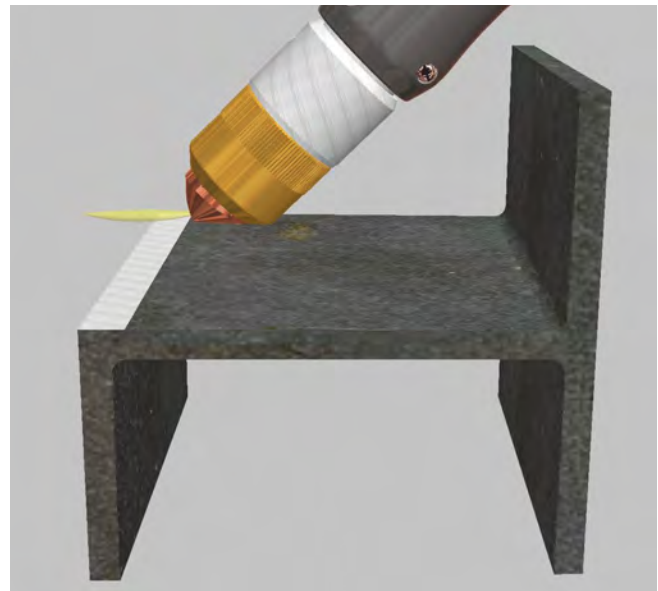
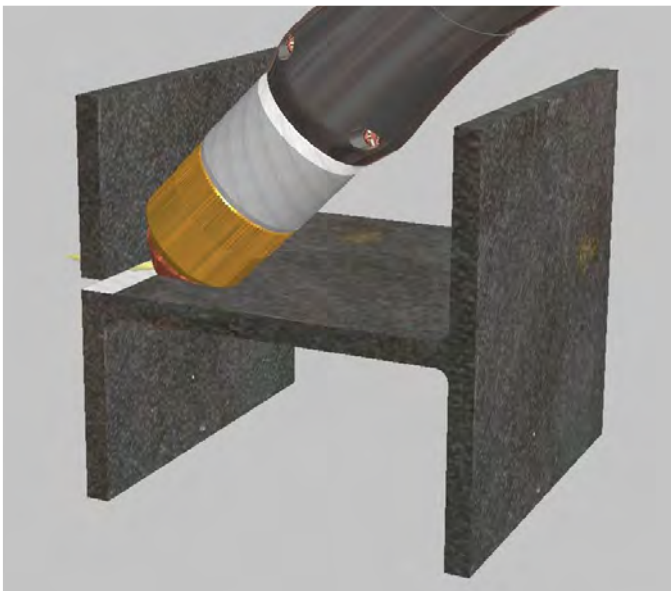
Code	Description	Pkg
53637	Standard KIT 85-125A	1
53638	Standard KIT 130-160A	1

BXEUPH-160FC



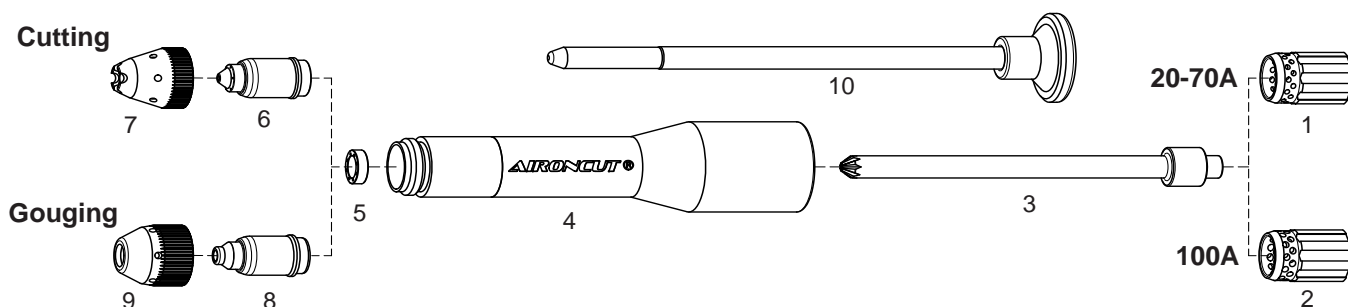
BXEUPH-160FC Kit 85-160A

Code	Description	Qty
53544	Electrode with Swirl Ring	1
53545	Retaining Cap	1
53535	Tip 85-125A	1
53536	Tip 130-160A	1
53543	Retaining Ring	1

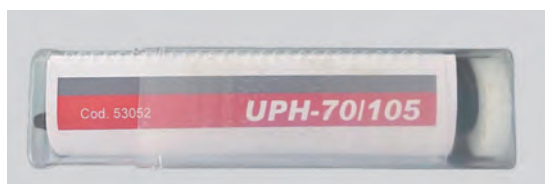
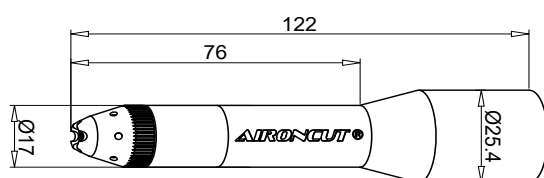


AIRONCUT®

New high visibility consumable system
to cut inaccessible parts.



For gouging use maximum 4 bar



53052 Standard Kit 70A Cutting

#	Code	Description	Pkg
1	60041E	Swirl Ring 20-70A	2
2	60024E	Swirl Ring 100A	2
3	53001	Electrode	3
4	53012	Shield Cup Body	1
5	53022	Vortex Ring	3
6	53031	Tip 20-45A	5
	53032	Tip 70A	5
	53034	Tip 100A	5
7	53047	Shield Cap Cutting	5
8	53036	Tip 50A Gouging	5
	53037	Tip 70A Gouging	5
	53038	Tip 100A Gouging	5
9	53046	Shield Cap Gouging	5
10	53080	Extractor for tip	1

BXAUPH105-AC



BXAUPH105-AC

Special Box

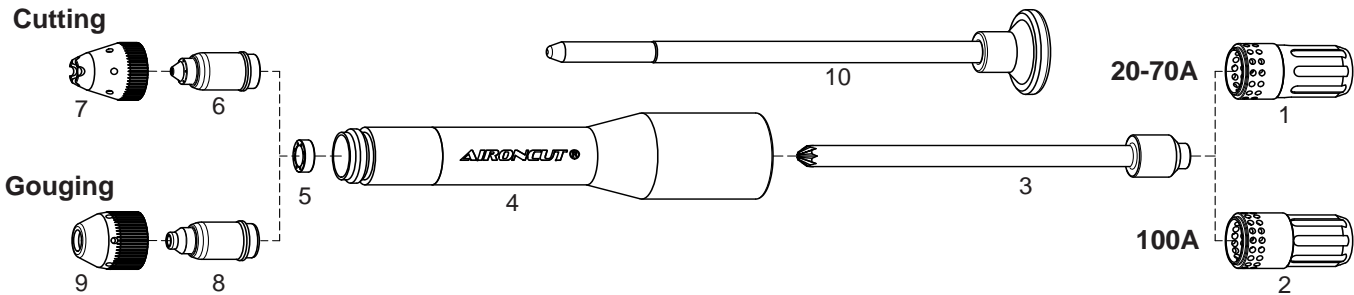
Code	Description	Qty
60041E	Swirl Ring 20-70A	1
60024E	Swirl Ring 100A	1
53001	Electrode	2
53022	Vortex Ring	2
53031	Tip 20-45A	3
53032	Tip 70A	3
53034	Tip 100A	5
53047	Shield Cap Cutting	2
53037	Tip 70A Gouging	3
53038	Tip 100A Gouging	5
53046	Shield Cap Gouging	2
53052	Standard Kit 70A Cutting	1

IT Util. Pat. Pend.:
N° IT202021000001583

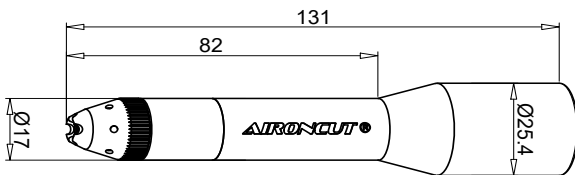
45A	Max Thickness	8 mm
70A	Max Thickness	12.5 mm
100A	Max Thickness	20.0 mm

AIRONCUT®

New high visibility consumable system to cut inaccessible parts.



For gouging use maximum 4 bar



53152 Standard Kit 70A Cutting

#	Code	Description	Pkg
1	60042E	Swirl Ring 20-70A	2
2	60040E	Swirl Ring 100A	2
3	53101	Electrode	3
4	53112	Shield Cup Body	1
5	53022	Vortex Ring	3
6	53031	Tip 20-45A	5
	53032	Tip 70A	5
	53034	Tip 100A	5
7	53047	Shield Cap Cutting	5
8	53036	Tip 50A Gouging	5
	53037	Tip 70A Gouging	5
	53038	Tip 100A Gouging	5
9	53046	Shield Cap Gouging	5
10	53080	Extractor for tip	1

BXAUPH125-AC



BXAUPH125-AC

Special Box

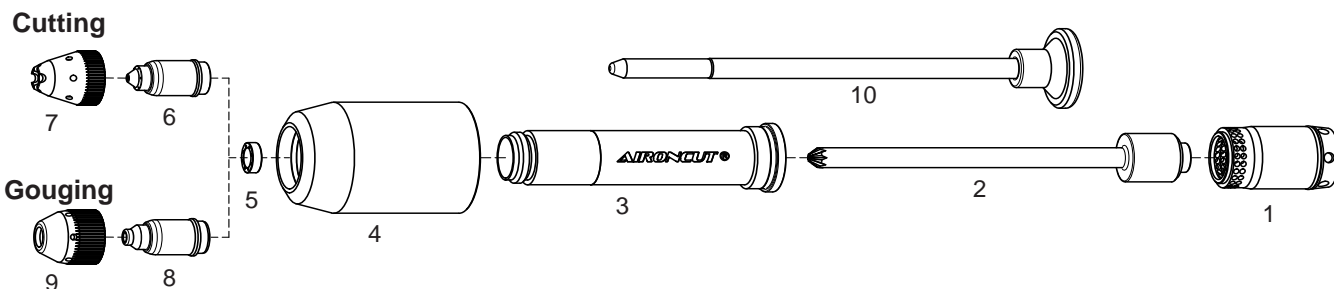
Code	Description	Qty
60042E	Swirl Ring 20-70A	1
60040E	Swirl Ring 100A	1
53101	Electrode	2
53022	Vortex Ring	2
53031	Tip 20-45A	3
53032	Tip 70A	3
53034	Tip 100A	5
53047	Shield Cap Cutting	2
53037	Tip 70A Gouging	3
53038	Tip 100A Gouging	5
53046	Shield Cap Gouging	2
53152	Standard Kit 70A Cutting	1

45A	Max Thickness	8 mm
70A	Max Thickness	12.5 mm
100A	Max Thickness	20.0 mm

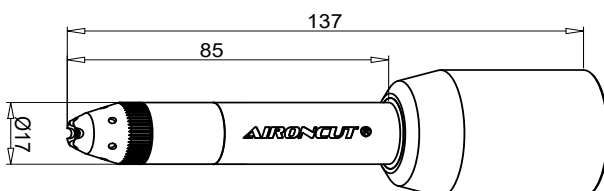
IT Util. Pat. Pend.:
N° IT202021000001583

AIRONCUT®

New high visibility consumable system to cut inaccessible parts.



For gouging use maximum 4 bar



53252 Standard Kit 70A Cutting

#	Code	Description	Pkg
1	60039E	Swirl Ring	2
2	53201	Electrode	3
3	53211	Shield Cup Body	1
4	53212	Retaining Cap	1
5	53022	Vortex Ring	3
6	53031	Tip 20-45A	5
	53032	Tip 70A	5
	53034	Tip 100A	5
7	53047	Shield Cap Cutting	5
8	53036	Tip 50A Gouging	5
	53037	Tip 70A Gouging	5
	53038	Tip 100A Gouging	5
9	53046	Shield Cap Gouging	5
10	53080	Extractor for tip	1

BXAUPH160-AC



BXAUPH160-AC

Special Box

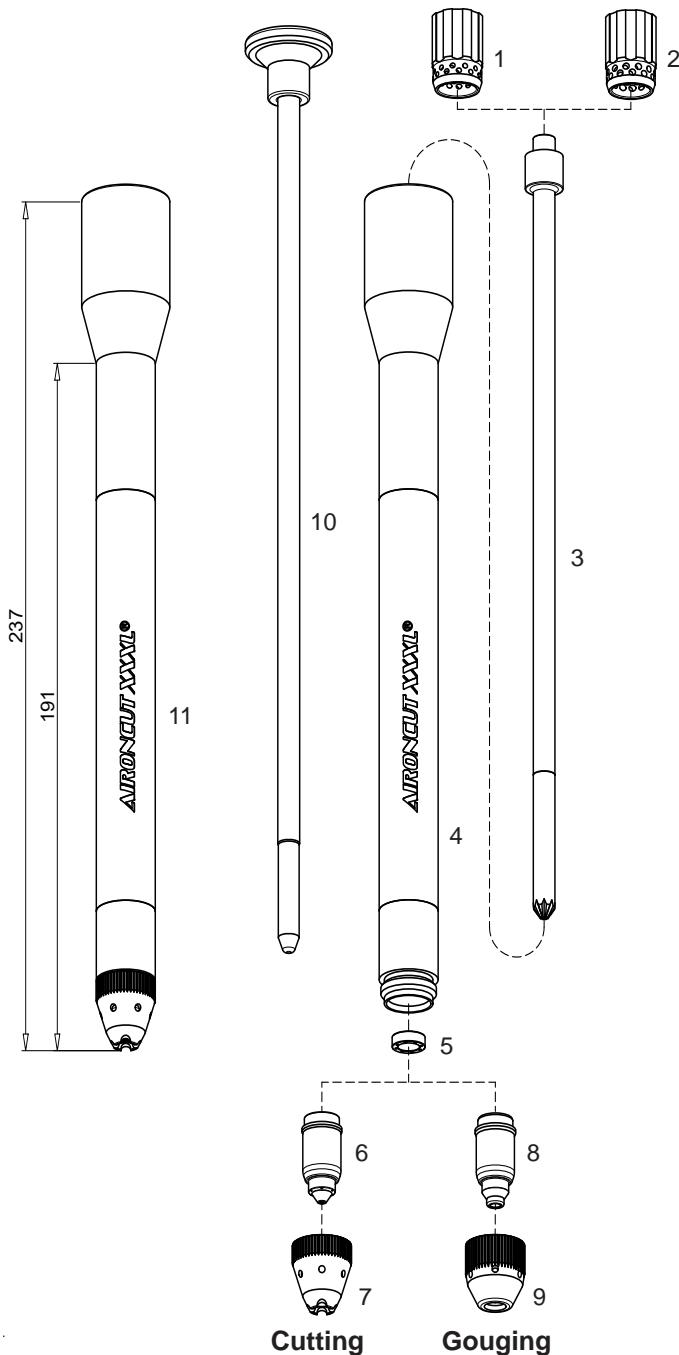
Code	Description	Qty
60039E	Swirl Ring	1
53201	Electrode	2
53022	Vortex Ring	2
53031	Tip 20-45A	3
53032	Tip 70A	3
53034	Tip 100A	5
53047	Shield Cap Cutting	2
53037	Tip 70A Gouging	3
53038	Tip 100A Gouging	5
53046	Shield Cap Gouging	2
53252	Standard Kit 70A Cutting	1

IT Util. Pat. Pend.:
N° IT202021000001583

45A	Max Thickness	8 mm
70A	Max Thickness	12.5 mm
100A	Max Thickness	20.0 mm

AIRONCUT XXXL®

New high visibility consumable system to cut inaccessible parts.



#	Code	Description	Pkg
1	60041E	Swirl Ring 20-70A	2
2	60024E	Swirl Ring 100A	2
3	53001L	Electrode **	3
4	53012L	Shield Cup Body	1
5	53022	Vortex Ring	3
6	53031	Tip 20-45A	5
	53032	Tip 70A	5
	53034	Tip 100A	5
7	53047	Shield Cap 20-100A	5
8	53036	Tip 50A Gouging	5
	53037	Tip 70A Gouging	5
	53038	Tip 100A Gouging	5
9	53046	Shield Cap Gouging	5
10	53080L	Extractor for tip	1
11	53052L	Complete Kit 70A Cutting	1



** Item not saleable in USA and Russia, being patented in said country.
Tec.Mo. accepts no responsibility in case of its customer's attempted sale in USA and Russia.



53052L Standard Kit 70A Cutting

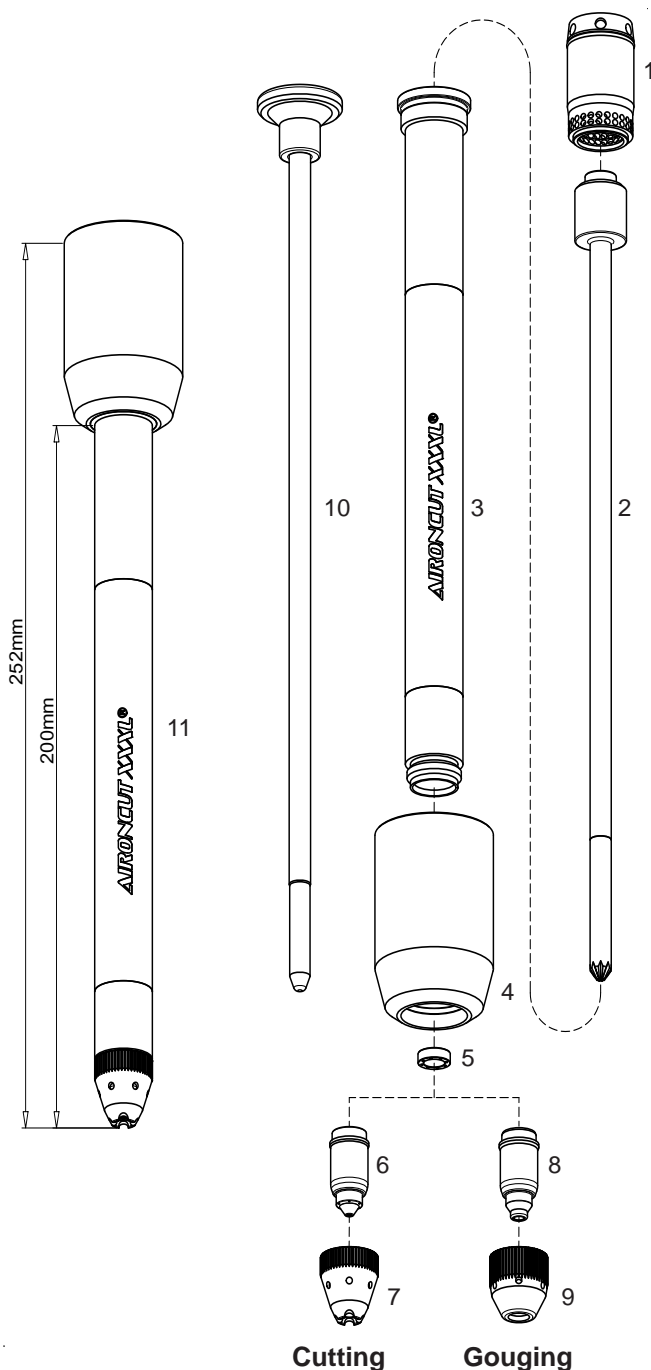
IT Util. Pat. Pend.:
N° IT202021000001583

For gouging use maximum 4 bar

45A	Max Thickness	8 mm
70A	Max Thickness	12.5 mm
100A	Max Thickness	20.0 mm

AIRONCUT XXXL®

New high visibility consumable system to cut inaccessible parts.



#	Code	Description	Pkg
1	60039E	Swirl Ring	2
3	53201L	Electrode **	3
4	53211L	Shield Cup Body	1
5	53212	Retaining Cap	1
5	53022	Vortex Ring	3
6	53031	Tip 20-45A	5
	53032	Tip 70A	5
	53034	Tip 100A	5
7	53047	Shield Cap 20-100A	5
8	53036	Tip 50A Gouging	5
	53037	Tip 70A Gouging	5
	53038	Tip 100A Gouging	5
9	53046	Shield Cap Gouging	5
10	53080L	Extractor for tip	1
11	53252L	Complete Kit 70A Cutting	1



** Item not saleable in USA and Russia, being patented in said country.
 Tec.Mo. accepts no responsibility in case of its customer's attempted sale in USA and Russia.



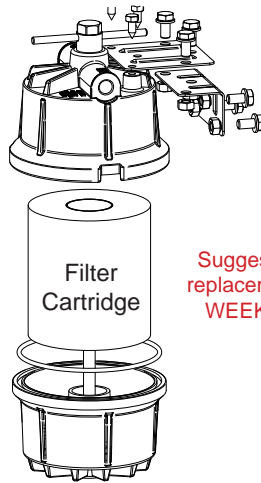
53252L Standard Kit 70A Cutting

IT Util. Pat. Pend.:
 N° IT202021000001583

For gouging use maximum 4 bar

45A	Max Thickness	8 mm
70A	Max Thickness	12.5 mm
100A	Max Thickness	20.0 mm

Air Filter AT1000



Suggested
replacement:
WEEKLY

Air Filter Complete Code: 50500

Packaging:

Air Filter AT1000

Code: 50500-12

Carton Box: 12 Filters

Dimensions: 11" x 16.5" x h. 17.3"
(cm 28 x 42 x h. 44)

Weight: 43 lbs (19.5 kg)

Filter Cartridge

Code: 50505-8

Carton Box: 8 Cartridges

Dimensions: 8.58" x 8.58" x h. 9.61"
(cm 21.8 x 21.8 x h. 24.4)

Weight: 4.2 lbs (1.9 kg)

Code: 50505-48

Master Box: 8x6=48 Cartridges

Dimensions: 17.72" x 26.38" x h. 10.43"
(cm 45 x 67 x h. 26.5)

Weight: 26.7 lbs (12.1 kg)

"AT 1000" is the perfect solution to the problems created by the contamination of the compressed air used in many plasma cutting systems.

It eliminates "sputter" caused by moisture and oil from compressed air lines.

It extends the electrode and nozzle life, with obvious benefits to the cut quality.

Designed to remove aerosol oil and moisture, "AT 1000" is a real benefit, entrapping particles as small as .01 microns inches.

With "AT 1000" torches last longer. Without this filter, at the end of this cutting session, inside the torch and torch head you have left condensed moisture, that can cause a short-circuit, with consequent rise of costs coming from the replacement of the torch head and the needed time to realize this operation.

"AT 1000" can filter up to 1250 liters a minute without reduction in pressure.

It's recommended to replace the filter cartridge every 5 to 7 days (max).

It's also very suitable for painters and use of pneumatic tools.

Our excellent knowhow in the production of plasma cutting torches and the consequent problems of air contaminant brought us to create the "AT 1000" being very effective and important for users of plasma cutting systems.

BEVEL TOOL



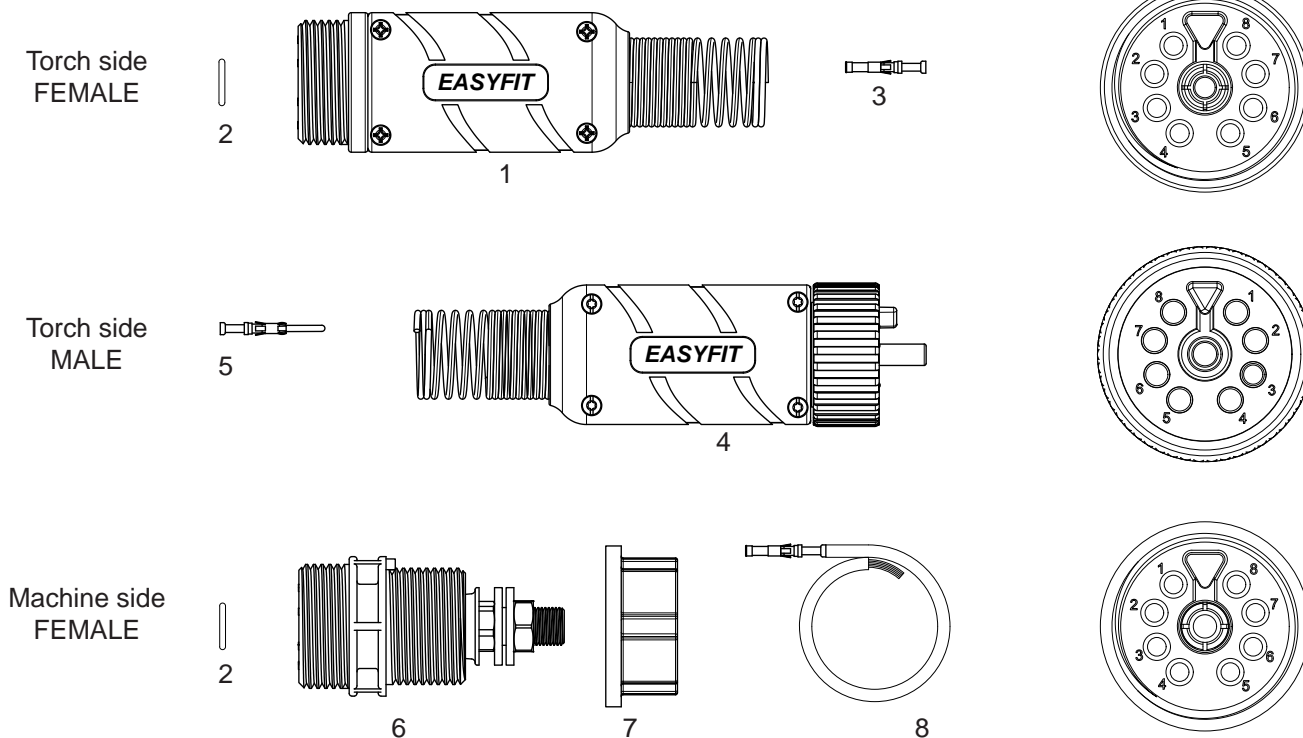
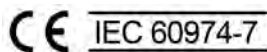
Code Description

51880 PMAX 1000/1250/1650® - PMAX 45/65/85/105® - TH-70/105/125 - UPH-70/105/125

51886 PMAX 125® - TEC.MO.® UPH-160

EASY FIT Connector

Registered Community Design



Item	Description	Code
1	Complete KIT EASYFIT Female - for cables with crimped connection	05266RPT
2	O-Ring - (conf.20 pcs)	20850.41
3	Contact pin female - (conf.10 pcs)	05265.45
4	Complete KIT EASYFIT Male - for cables with crimped connection	05261RPT
5	Contact pin male - (conf.10 pcs)	05260.45
6	Machine connector EASYFIT (standard connection 6 pins)	05265
	Machine connector EASYFIT (connection 7 pins)	05265-7
	Machine connector EASYFIT (connection 8 pins)	05265-8
7	Hexagonal Nut	04265.41
8	Contact pin, BLACK lead, 0.75mm ² x 600mm	04265.21
	Contact pin, RED lead, 0.75mm ² x 600mm	04265.22
	Contact pin, BLUE lead, 0.75mm ² x 600mm	04265.23
	Contact pin, BROWN lead, 0.75mm ² x 600mm	04265.24
	Contact pin, WHITE lead, 0.75mm ² x 600mm	04265.25

35+
Years

TEC.MO.
=

Quality
Technology
Innovation